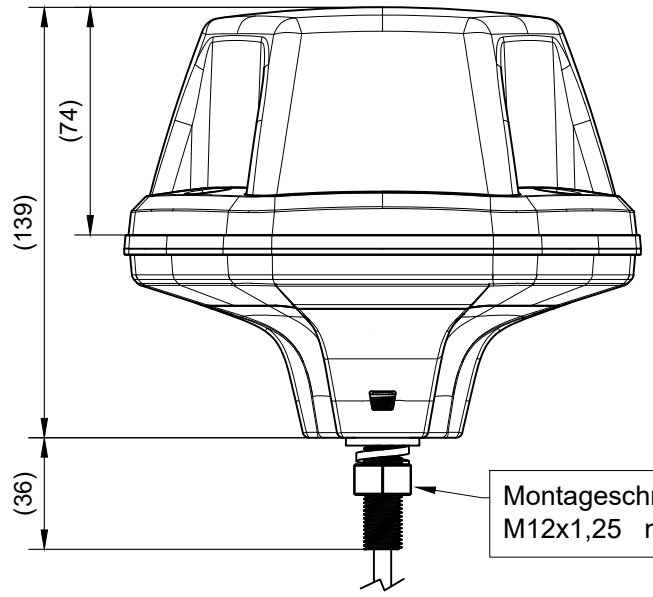
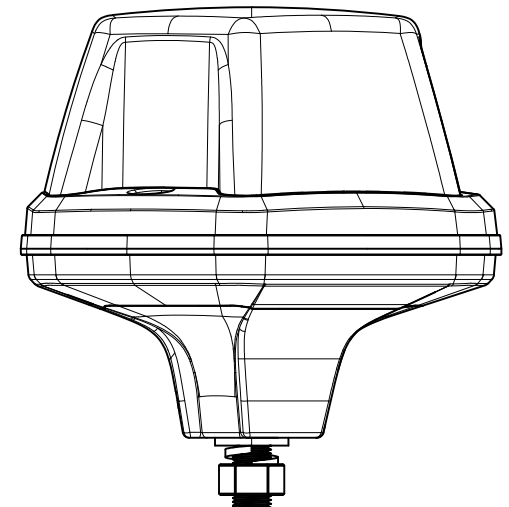
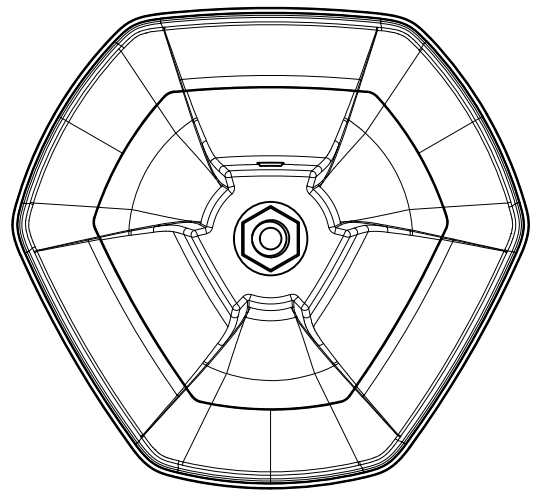
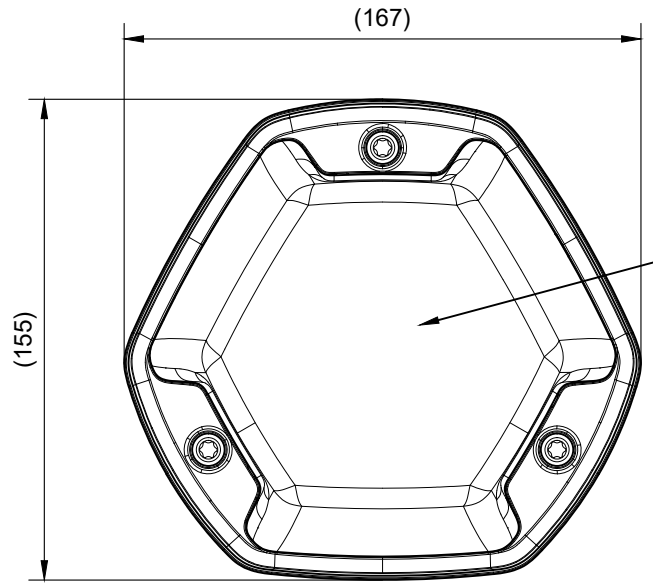
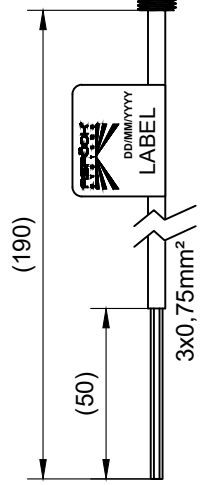


Level	Zone	ECI N°.	Revision note	Date	Designed	Checked
R02	02	20647	Designation wurde geändert designation was changed	2023/10/20	Wetzlm.G	Schamb.S



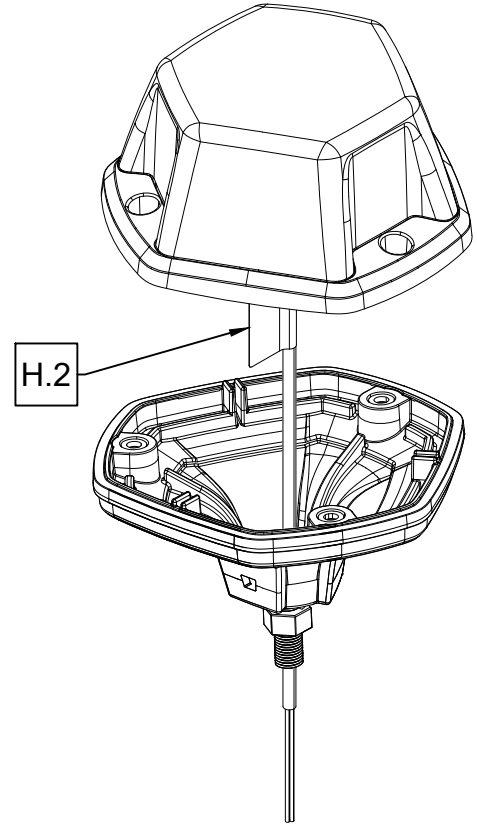
Montageschraube / mounting screw  
M12x1,25 max. 4,0Nm



H.1

CONNECTOR:	
function	wire colour
Masse <i>GND</i>	weiss <i>white</i>
+VDC <i>+VDC</i>	braun <i>brown</i>
Blinkmuster auswahl <i>pattern selection</i>	blau <i>blue</i>

Lichtmuster:	
<i>Flash Pattern:</i>	
Zweifachblitz (R65) <i>double flash (R65)</i>	
Einfachblitz (R65) <i>single flash (R65)</i>	
rotierend (R65) <i>rotation (R65)</i>	



Electrical Specification				
Funktion <i>Function</i>	Nennspannung <i>Nominal Voltage</i>	Spannungsbereich <i>Voltage Range</i>	Nennstrom <i>Nominal Current</i>	Nennleistung <i>Nominal Power</i>
Volt (V)	Volt (V)	Volt (V)	Ampere (A)	Watt (W)
FlashLED Beacon	12V / 24V	10V - 30V	2A / 1A	24W

Homologation description			
H.1	E9 6521	TA1 00	
H.2	E24 3220	10R 06	

CP\_03-0\_Bemaßungsrichtlinie ( ) Auxiliary dimension DIN 406-10  Theoretical dimension ISO 1101  
 Test dimension (SPC) [ ] Unfinished dimension DIN 406-10  Surface quality ISO 1302

Designed by Leidinger Sabine 2022/06/14 Checked by Strubreiter Daniel 2022/06/28 Approved by Schamberger Stefan 2022/06/28

Part Number 39-9024-017 Designation FlashLED DF/SF/R ECE+SAE single bolt 02 Project number 1179

Drawing Nr. 39902401 Tolerance CP\_04-2\_Toleranzen Verkabelungsprodukte Weight - Scale not in scale

Business Unit SALES - 12 Level R02 Sheet 1 / 1

Dimensions in mm Transmittal, reproduction, dissemination and/or editing of this document as well as utilization of its contents and communication there of to others without express authorization are prohibited. Offenders will be held liable for payment of damages. All rights created by patent grant or registration of a utility model or design patent are reserved.