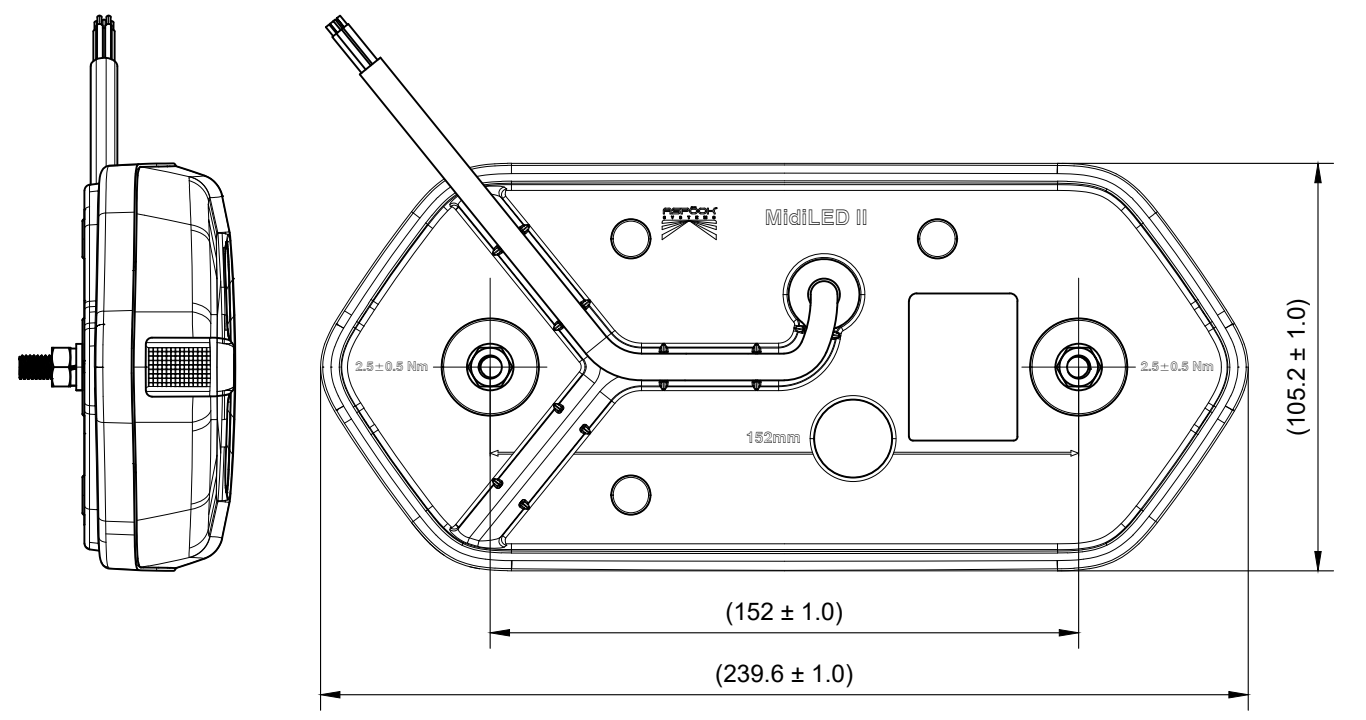
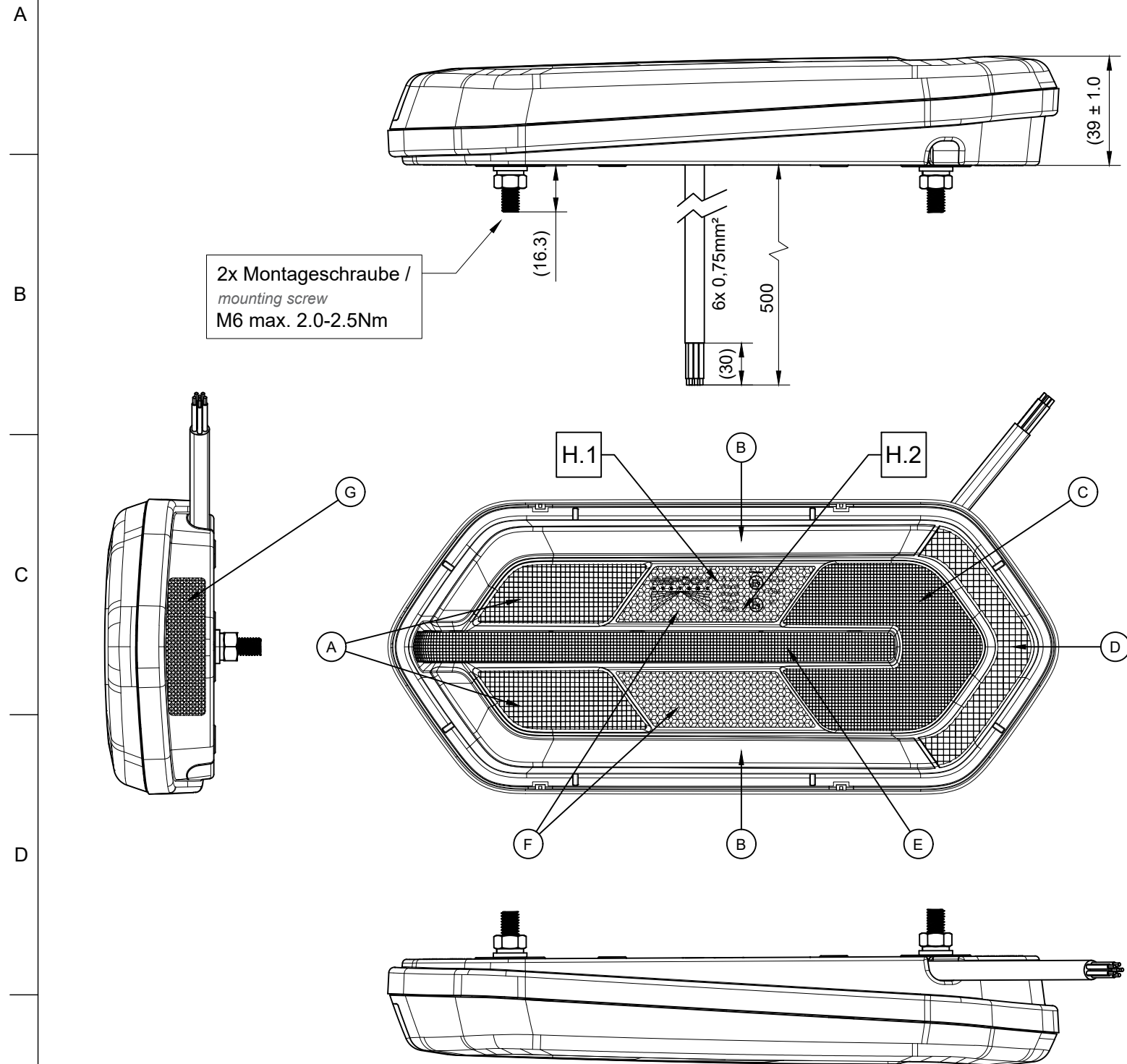


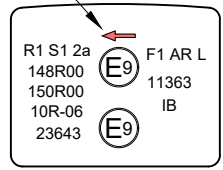
Level	Zone	ECI N°.	Revision note	Date	Designed	Checked



Electrical Specification				
Funktion Function	Spannungsbereich Voltage Range	Nennspannung Nominal Voltage	Nennstrom Nominal Current	Nennleistung Nominal Power
Volt (V)	Volt (V)	Volt (V)	Ampere (A)	Watt (W)
Tail	9V - 32V	12V / 24V	0.25A / 0.13A	3W
Stop	9V - 32V	12V / 24V	0.15A / 0.08A	1.8W
Progressiv DI	9V - 32V	12V / 24V	0.22A	2.5 / 5.3W
Fog	9V - 32V	12V / 24V	0.38A / 0.19A	4.6W
Reverse	9V - 32V	12V / 24V	0.23A / 0.12A	2.8W
License Plate Light	9V - 32V	12V / 24V	0.33A / 0.17A	4W

Einbaurichtung /mounting direction:
Der Pfeil muss zur Fahrzeugaußenseite zeigen.
/The arrow has to point towards the outer vehicle edge.

Homologation description									
H.1	E9	148R	150R	S1	R1	2a	F1	AR	L
	11363	00	00						
H.2	E9	10R	IB						
	23643	06							



FUNCTION:	
Bremse LED Stop LED	A
Rücklicht LED Tail LED	B
Rückfahr. LED Reverse LED	C
Nebelschl. LED Fog LED	D
Blinker LED Progressive DI LED	E
Reflektor reflector	F
Kennz. Leuchte LED License Plate Light LED	G

CP_03-0_Bemaßungsrichtlinie () Auxiliary dimension DIN 406-10 Theoretical dimension ISO 1101
 ○ Test dimension (SPC) [] Unfinished dimension DIN 406-10 Surface quality ISO 1302

Designed by Hager Cornelia 2023/11/22 Checked by Wetzlmaier Gerlinde 2023/11/27 Approved by Geisberger Markus 2023/11/27

Part Number 34-3824-037

ASPOCK SYSTEMS

Designation: MidiLED II Dualvoltage Cable LPL
 Drawing Nr. 34382403
 Business Unit SALES - 12

Tolerance: CP_04-2_Toleranzen Verkabelungsprodukte

Project number: 1215

Weight: - Scale: not in scale

Level: R01 Sheet: 1 / 1

Transmittal, reproduction, dissemination and/or editing of this document as well as utilization of its contents and communication thereof to others without express authorization are prohibited. Offenders will be held liable for payment of damages. All rights created by patent grant or registration of a utility model or design patent are reserved.