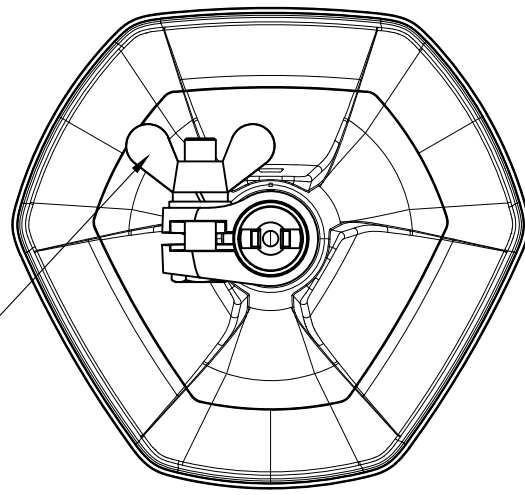
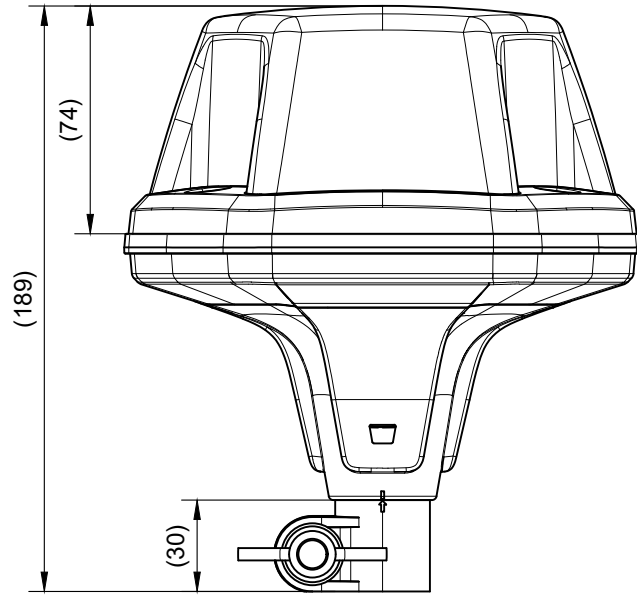
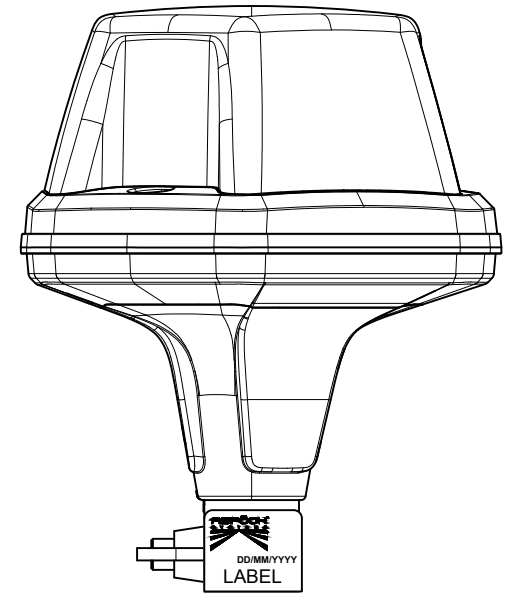


Level	Zone	ECI N°.	Revision note	Date	Designed	Checked

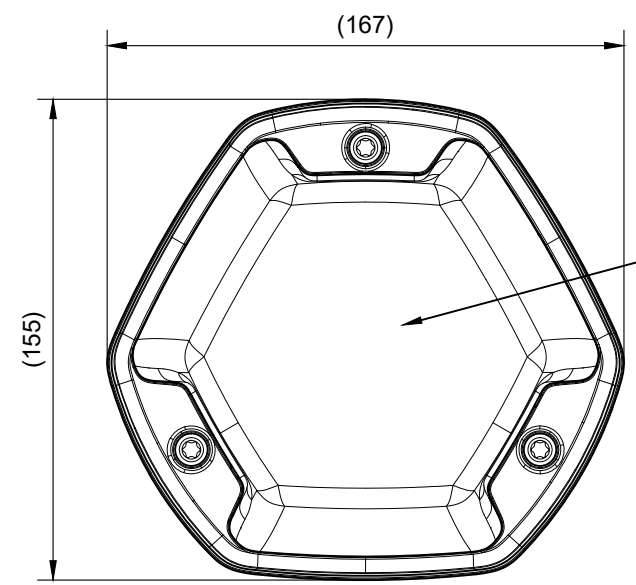
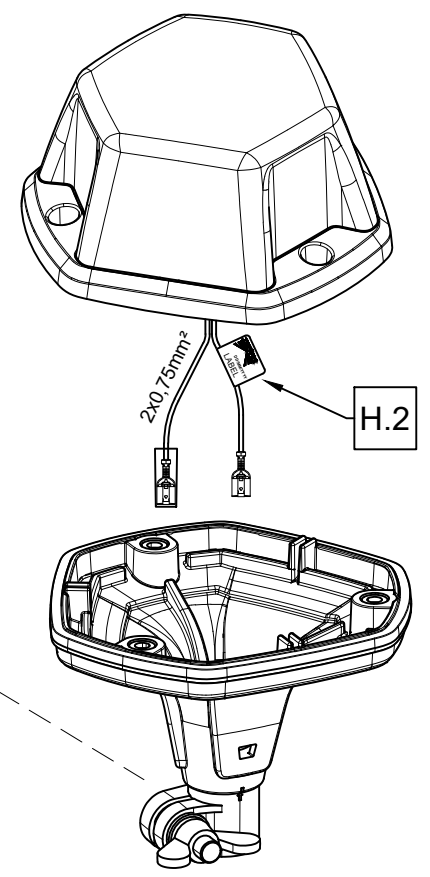
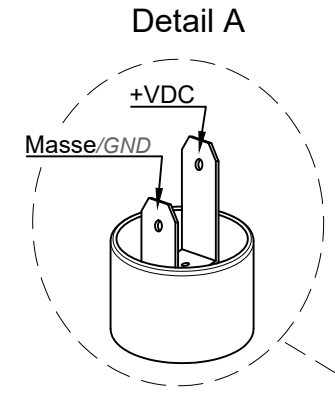


Flügelmutter/wing nut
3,0 - 5,0 Nm

CONNECTOR:	
function	wire colour
Masse GND	weiss white
+VDC +VDC	braun brown



Lichtmuster:
Flash Pattern:
Zweifachblitz (R65)
double flash (R65)



Electrical Specification				
Funktion Function	Nennspannung Nominal Voltage	Spannungsbereich Voltage Range	Nennstrom Nominal Current	Nennleistung Nominal Power
Volt (V)	Volt (V)	Volt (V)	Ampere (A)	Watt (W)
FlashLED Beacon	12V / 24V	10V - 30V	2A / 1A	24W

Homologation description				
H.1	E9 6521	TA1 00		
SAE W3-1 21				
H.2	E24 3220	10R 06		

CP_03-0_Bemaßungsrichtlinie ()	Auxiliary dimension DIN 406-10	Theoretical dimension ISO 1101
Test dimension (SPC)	Unfinished dimension DIN 406-10	Surface quality ISO 1302
Designed by Leidinger Sabine 2022/11/24	Checked by Strubreiter Daniel 2022/11/25	Approved by Schamberger Stefan 2022/11/25
 Part Number: 29-9024-037	Designation FlashLED DF DIN SAE	Project number 1179
	Drawing Nr. 29902403	
	Business Unit SALES - 12	Tolerance CP_04-2_Toleranzen Verkabelungsprodukte
Dimensions in mm	Transmittal, reproduction, dissemination and/or editing of this document as well as utilization of its contents and communication there of to others without express authorization are prohibited. Offenders will be held liable for payment of damages. All rights created by patent grant or registration of a utility model or design patent are reserved.	
	Level R01	Sheet 1 / 1