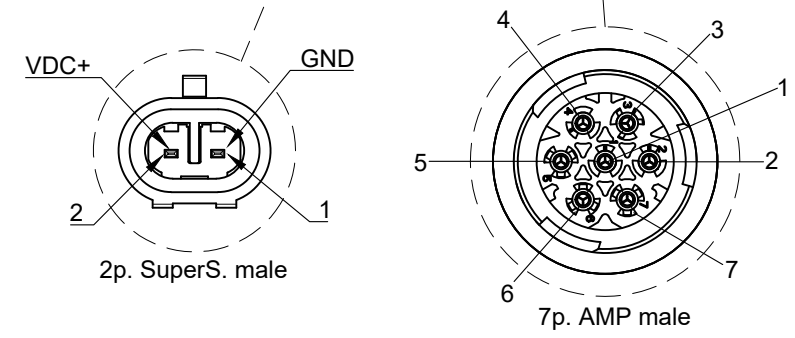
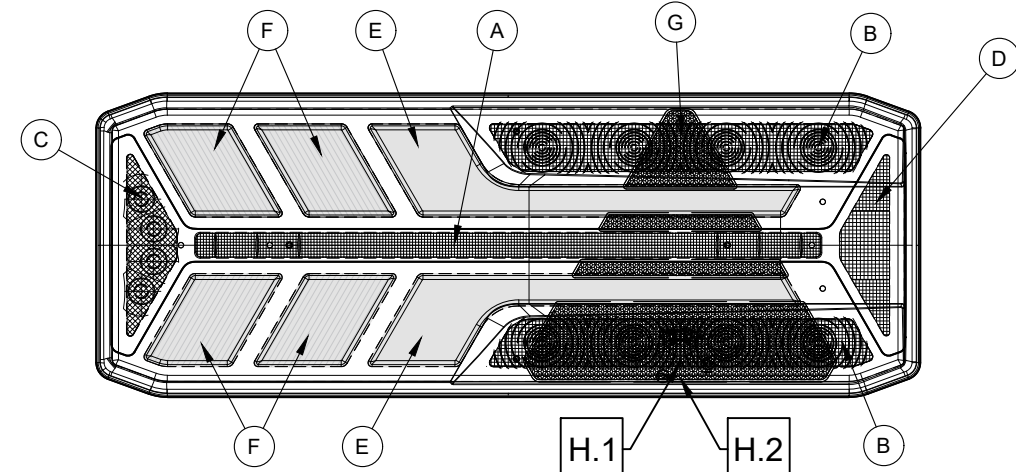
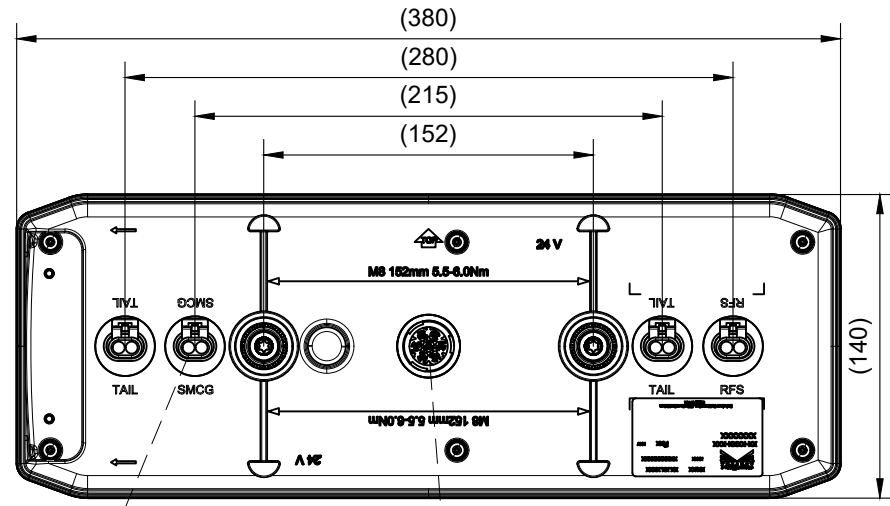
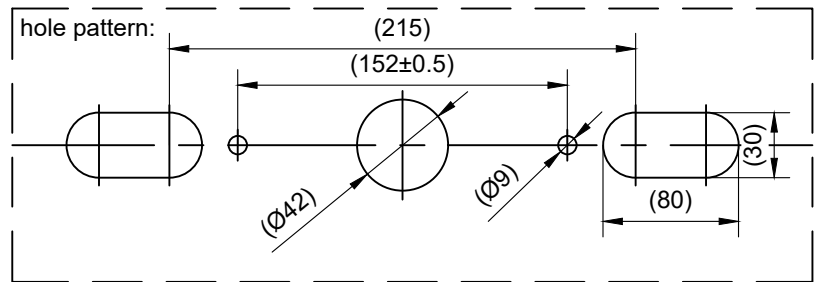


Level	Zone	ECI N°.	Revision note	Date	Designed	Checked



7p. AMP RH	
function	pin
Masse GND	1
Rücklicht RH Tail RH	2
Rückfahr. Reverse	3
Blinker RH DI RH	4
Bremse Stop	5
Nebelschl. Fog	6
Rücklicht LH Tail LH	7

Technische Daten zur SMCG/technical specification for SMCG:  
 Spannungsbereich/voltage range: 18V - 33V  
 Strombereich/current range: Ausgangsstrom/output current max. 1A  
 Elektronisch Überspannungs- und Überstromgesichert/overcurrentprotected  
 Thermische Stromabschaltung am Ausgang bei ca. 1,2A  
 (Kurzschlussfest) Verpolungsschutz/thermal power cut-off at the output at approx. (shortcircuit proof) reserve polarity protection

Electrical Specification				
Funktion Function	Nennspannung Nominal Voltage	Spannungsbereich Voltage Range	Nennstrom Nominal Current	Nennleistung Nominal Power
Volt (V)	Volt (V)	Volt (V)	Ampere (A)	Watt (W)
DI	24V	18V - 33V	0.35A	8.3W
Stop	24V	18V - 33V	0.16A	3.8W
Reverse	24V	18V - 33V	0.11A	2.7W
Fog	24V	18V - 33V	0.17A	4.0W
Tail RH	24V	18V - 33V	0.15A	3.6W
Tail LH	24V	18V - 33V	0.10A	2.5W

Homologation description						
H.1	E9 1928	148R 00	R1	S1	2a	AR F1
H.2	E9 3902	150R 00	IIIA			

FUNCTION:	
Rücklicht. LH Tail LH	I
SMCG Ausgang (Rückl. RH) SMCG out (Tail RH)	II
Rücklicht. RH Tail RH	III
Rückfahr. Reverse	IV

FUNCTION:	
Blinker RH LED DI RH LED	A
Bremse LED Stop LED	B
Nebelschl. LED Fog LED	C
Rückfahr. LED Reverse LED	D
Rücklicht RH LED Tail RH LED	E
Rücklicht LH LED Tail LH LED	F
Reflektierendes Dreieck Reflex reflector triangle	G

CP\_03-0\_Bemaßungsrichtlinie ( ) Auxiliary dimension DIN 406-10 Theoretical dimension ISO 1101  
 Test dimension (SPC) [ ] Unfinished dimension DIN 406-10 Surface quality ISO 1302

Designed by Leidinger Sabine 2022/08/31 Checked by Strubreiter Daniel 2022/09/.. Approved by Enzlmüller Manuel 2022/09/..

**ASPOCK SYSTEMS**

Designation: EcoLED III RH AMP 7p. + 4x2p SMCG  
 Drawing Nr. 25412205  
 Business Unit SALES - 24

Part Number: 25-4122-057

Dimensions in mm

Transmittal, reproduction, dissemination and/or editing of this document as well as utilization of its contents and communication thereof to others without express authorization are prohibited. Offenders will be held liable for payment of damages. All rights created by patent grant or registration of a utility model or design patent are reserved.

**DRAFT**

Project number: -  
 Weight: - Scale: not in scale  
 Level: R01 Sheet: 1 / 1

Tolerance: CP\_04-2\_Toleranzen Verkabelungsprodukte

