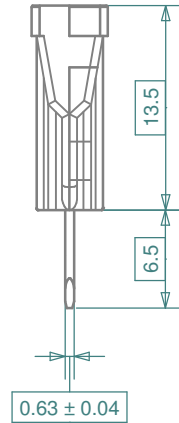
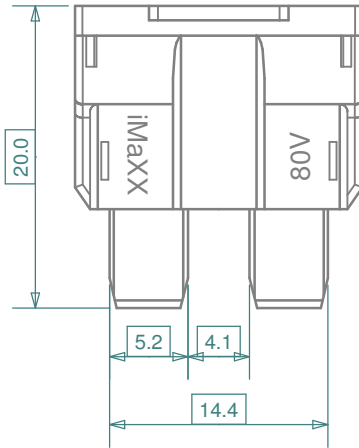




Note: Current rating printed in white OCR font on top of fuse.



| Rating [A] | Color | Volt [V] | iMaXX Reference |
|-----------------|---------|---------------|-----------------|
| 1 | Black | 80 | F1801 |
| 2 | Grey | 80 | F1802 |
| 3 | Violet | 80 | F1803 |
| 4 | Pink | 80 | F1804 |
| 5 | Tan | 80 | F1805 |
| 7.5 | Brown | 80 | F1875 |
| 10 | Red | 80 | F1810 |
| 15 | Blue | 80 | F1815 |
| 20 | Yellow | 80 | F1820 |
| 25 | Natural | 80 | F1825 |
| 30 | Green | 80 | F1830 |
| 40 | Orange | 80 | F1840 |

| Fusing gates [s] | | |
|------------------|-------------|-------------|
| Load [%] | Minimum [s] | Maximum [s] |
| 110 % | 360,000 | - |
| 135 % | 0.75 | 1,800 |
| 200 % | 0.15 | 5 |
| 350 % | 0.04 | 0.5 |
| 600 % | 0.02 | 0.1 |

NOTES:

- Housing material: PA66 GF25
- Blade material: Cu, Sn plating
- Application specific EU developed melting wire
- Suitable for use in low voltage applications max 80V
- Breaking capacity 1000A at 80VDC

| Revisions | | | Date | Appr. |
|-----------|-------|------------------------------|-------|-------|
| a | 04/17 | updated to new housing style | 04/17 | BE |
| | | | 04/17 | AdH |

| | | | |
|------------|-------|----------------|--------------------------------------|
| Scale | 2 : 1 | Title | F1800 series, 80V normOTO blade fuse |
| Projection | | Drawing type | schematic |
| | | Drawing number | F1800 style 2 drawing 1 |
| | | Sheet | 1 of 1 |
| | | Layers / Sheet | 0 1 2 6 9 |



E

F

A

B

C

D

E

F

1

2

3

4

1

2

3

4

Sheet 01